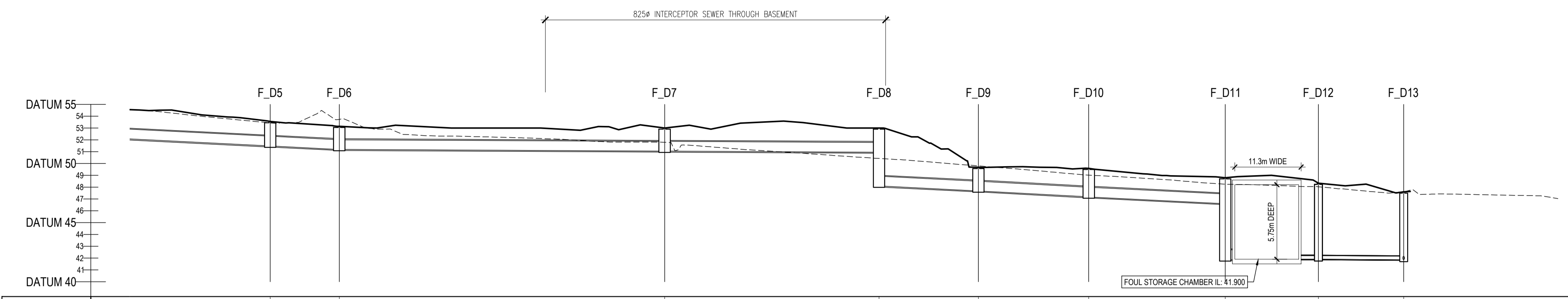
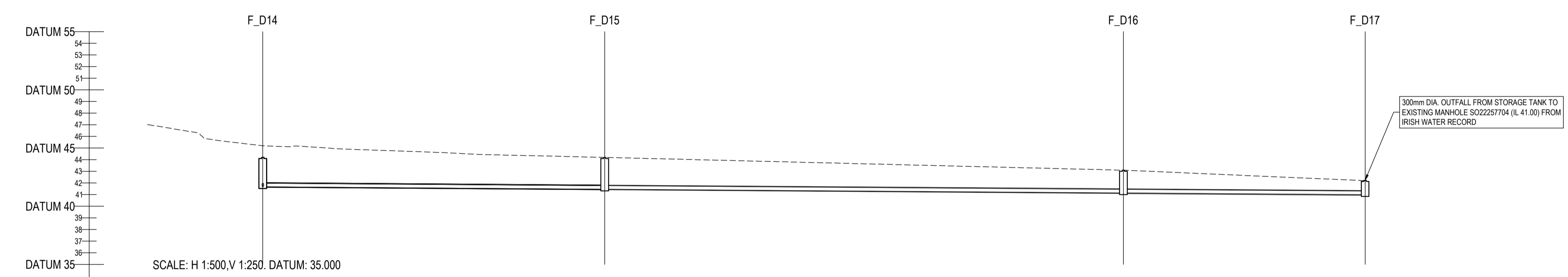


- NOTES:
- ALL DRAWINGS TO BE CHECKED BY CONTRACTOR ON SITE AND ENGINEER INFORMED OF DISCREPANCIES BEFORE WORK COMMENCES
  - ALL LEVELS ARE IN METRES AND ARE RELATED TO ORDNANCE DATUM
  - CONTRACTOR SHALL SATISFY HIMSELF AS TO THE ACCURACY OF PAVEMENT LEVELS ON SITE PRIOR TO COMMENCEMENT OF WORKS ON SITE
  - ALL WORKS TO BE CONSTRUCTED IN ACCORDANCE WITH THE NRA SPECIFICATION FOR ROAD WORKS UNLESS NOTED OTHERWISE
  - THIS DRAWING IS FOR PLANNING PURPOSES ONLY
  - MANHOLE COVER LEVELS ARE TO CONFORM WITH FINISHED ROAD AND PATH LEVELS
  - WHERE COVER TO PIPE IS LESS THAN 1200mm (ROAD/PATH/VERGE) OR 300mm (OPEN SPACE) SURROUND PIPE IN MINIMUM 150mm CONCRETE

KEY  
 - - - - - EXISTING GROUND PROFILE  
 \_\_\_\_\_ PROPOSED GROUND PROFILE



COVER LEVEL		53.543	53.145	53.000	53.000	49.873	49.900	48.794	48.329	47.594
INVERT LEVEL	51.424	51.474	51.190	51.041	50.951	47.826	47.198	46.590	46.900	41.890
DEPTH (m)	2.032	1.977	1.921	1.921	4.867	1.999	2.275	6.884	6.429	5.744
DISTANCE (m)	28.73	11.68	54.98	36.24	16.79	18.64	23.07	1.22	2.94	14.39
PIPE SLOPE	1:40	1:40	1:396	1:400	1:40	1:37	1:40	Horizontal	Horizontal	1:288
PIPE SIZE	825mm	825mm	825mm	825mm	825mm	825mm	825mm	825mm	300mm	300mm



SCALE: H 1:500, V 1:250. DATUM: 35.000

COVER LEVEL		44.200	44.200	42.235
INVERT LEVEL	41.650	41.680	41.469	41.190
DEPTH (m)	2.520	2.731	1.961	1.235
DISTANCE (m)	45.91	58.72	89.09	41.51
PIPE SLOPE	1:270	1:278	1:279	1:277
PIPE SIZE	300mm	300mm	300mm	300mm

P2	22-11-21	FOR SHD APPLICATION	JVS	BK
P1	23-04-21	FOR PRE-APPLICATION MEETING	JVS	BK
REV	DATE	DESCRIPTION	BY	CHKD
SUITABILITY	S2	FOR INFORMATION		

**PLANNING**

DESIGNED	BK	PREPARED	PJC
DATE	JAN 2019	CHECKED	DJR

DUBLIN OFFICE: Ormond House, Upper Ormond Quay, Dublin 7, Ireland. PHONE: +353 1 400 4000 FAX: +353 1 400 4050  
 WATERFORD OFFICE: Unit 2, The Chandlery, 1-2 O'Connell Street, Waterford, Ireland. PHONE: +353 51 339 500 FAX: +353 51 844 913  
 DBFL Consulting Engineers email: info@dbfl.ie site: www.dbfl.ie

PROJECT  
**PROPOSED DEVELOPMENT AT CORNELSCOURT**

DRG. TITLE  
**IRISH WATER INTERCEPTOR SEWER LONG SECTIONS**

CLIENT  
**CORNEL LIVING LIMITED**

SCALE  
 1:500 @A1  
 FILE REF.  
 180208-DBFL-XX-XX-DR-C-3000

DRG. NO.  
**180208-DBFL-XX-XX-DR-C-3040** P2